

MadBoy®

REMIX-31

KARAOKE MIXER



OWNER'S MANUAL

WWW.MADBOY-AUDIO.COM

ENGLISH

Safety Instructions



CAUTION: To reduce the risk of electric shock, do not remove cover (or back). No user-serviceable parts inside. Only refer servicing to qualified service personnel.

Explanation of Graphical Symbols



The lightning flash & arrowhead symbol, within an equilateral triangle, is intended to alert you to the presence of danger.



The exclamation point within an equilateral triangle is intended to alert you to the presence of important operating and servicing instructions.

WARNING

To reduce the risk of fire or electric shock, do not expose this unit to rain or moisture.

1. Read Instructions - All the safety and operating instructions should be read before the appliance is operated.

2. Retain Instructions - The safety and operating instructions should be retained for future reference.

3. Heed Warnings - All warnings on the appliance and in the operating instructions should be adhered to.

4. Follow Instructions - All operating and use instructions should be followed.

5. Attachments - Do not use attachments not recommended by the product manufacturer as they may cause hazards.

6. Water and Moisture - Do not use this unit near water. For example, near a bathtub or in a wet basement and the like.

7. Carts and Stands - The appliance should be used only with a cart or stand that is recommended by the manufacturer.

7 A. An appliance and cart combination should be removed with care. Quick stops, excessive force, and uneven surfaces may cause an overturn.

8. Ventilation - The appliance should be situated so its location does not interfere with its proper ventilation. For example, the appliance should not be situated on a bed, sofa, rug, or similar surface that may block the ventilation slots.

9. Heat - the appliance should be situated away from heat sources such as radiators, heat registers, stoves, or other appliances (including amplifiers) that produce heat.

10. Power Sources - The appliance should be connected to a power supply only of the type described in the operating instructions or as marked on the appliance.

11. Grounding or Polarization - Precautions should be taken so that the grounding or polarization means of an appliance is not defeated.

12. Power-cord Protection - Power-supply cords should be routed so that they are not likely to be walked on or pinched by items placed upon or against them, paying particular attention to cords at plugs, convenience receptacles, and the point where they exit from the appliance.

13. Cleaning - Unplug this unit from the wall outlet before cleaning. Do not use liquid cleaners or aerosol cleaners. Use a damp cloth for cleaning.

14. Power lines - An outdoor antenna should be located away from power lines.

15. Nonuse Periods - The power cord of the appliance should be unplugged from the outlet when left unused for a long period of time.

16. Object and Liquid Entry - Care should be taken so that objects do not fall and liquids are not spilled into the enclosure through openings.

17. Damage Requiring Service - The appliance should be serviced by qualified service personnel when:

- A. The power supply cord or plug has been damaged; or
- B. Objects have fallen into the appliance; or
- C. The appliance has been exposed to rain; or
- D. The appliance does not appear to operate normally or exhibits a marked change in performance; or
- E. The appliance has been dropped, or the enclosure damaged.

18. Servicing - The user should not attempt to service the appliance beyond that described in the operating instructions. All other servicing should be referred to qualified service personnel.

Note:

To CATV system installer's (U.S.A): This reminder is provided to call the CATV system installer's attention to Article 820-40 of the NEC that provides guidelines for proper grounding and, in particular, specifies that the cable ground shall be connected as close to the point of cable entry as practical.

For Geeks

Features:

- Two analog RCA inputs for connecting DVD / CD player or tablet.
- Input selection switch for selecting different audio source.
- Two analog RCA outputs for connecting active speakers or amplifier.
- Subwoofer output for connecting active subwoofer.
- Two microphone inputs with individual volume, 3-band equalizer and effect level controls.
- Effect controls with adjustable delay and repeat.
- Volume control and 3-band equalizer for music



Inputs:

- Two microphone channels
 - Balanced 1/4" TRS jacks in the front panel
 - Balanced XLR connectors in the back panel
- Two audio inputs
 - 2 x RCA

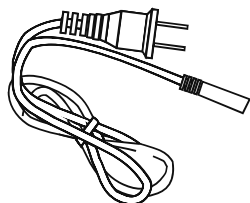
Outputs:

- Two audio outputs
 - 2 x RCA
- Subwoofer output
 - 1 x RCA

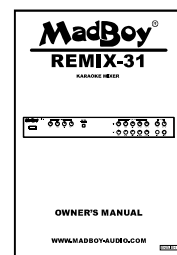
Package includes:



REMIX-31 (1)



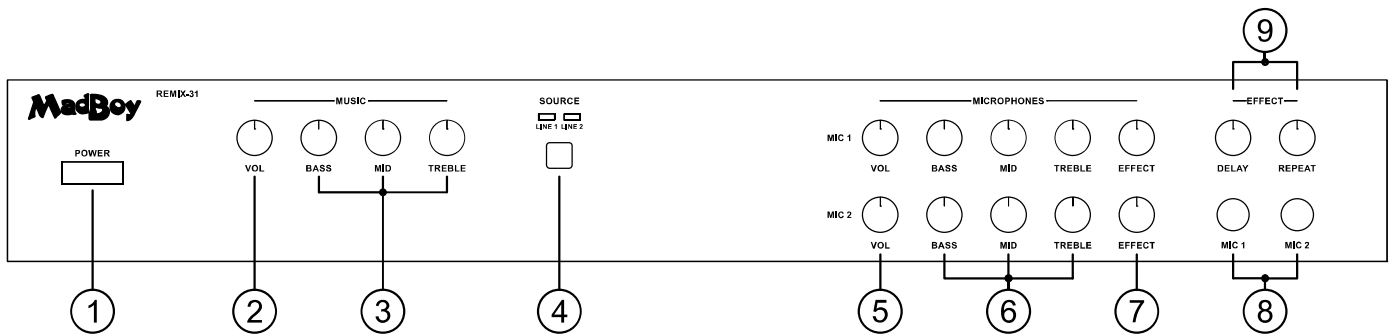
POWER CABLE (1)



USER MANUAL (1)

Getting Started

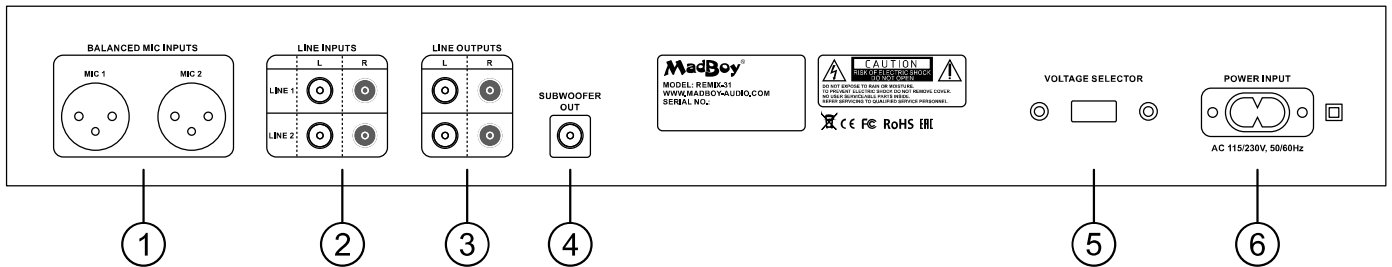
Front Panel



- 1. POWER SWITCH:** Press this switch to turn the power ON / OFF.
- 2. MUSIC VOLUME:** For adjusting the volume of the music.
- 3. MUSIC EQUALIZER:** Use these to boost or cut the frequencies of the music.
- 4. INPUT SELECTION:** Press to select the input source (LINE 1 / LINE 2).
- 5. MICROPHONE VOLUME:** For adjusting the volume of the microphone.
- 6. MICROPHONE EQUALIZER:** Use these to boost or cut the frequencies of the microphone.
- 7. MICROPHONE EFFECT:** For adjusting the effect level of the microphone.
- 8. MICROPHONE INPUT (1/4" TRS JACK):** Insert the microphone cable to these inputs.
- 9. EFFECT CONTROLS:** For adjusting delay and repeat of the echo.

Getting Started

Back Panel



- 1. BALANCED MIC INPUTS:** Use these inputs with balanced XLR microphone cables.
- 2. AUDIO INPUTS:** For connecting DVD / CD player or PC with RCA cable.
- 3. AUDIO OUTPUTS:** For connecting active speakers or amplifier with RCA cable.
- 4. SUBWOOFER OUT:** For connecting active subwoofer with RCA cable.
- 5. AC VOLTAGE SELECTOR:** For selecting AC voltage (230 V / 115 V).

NOTICE! MAKE SURE THAT THE VOLTAGE IS SET CORRECTLY FOR YOUR REGION! WRONG VOLTAGE SETTING MAY CAUSE SERIOUS DAMAGE TO MACHINE AND VOIDS THE WARRANTY!

- 6. POWER INPUT:** Insert the power cable here.

Getting Connected: Basic Connection Example

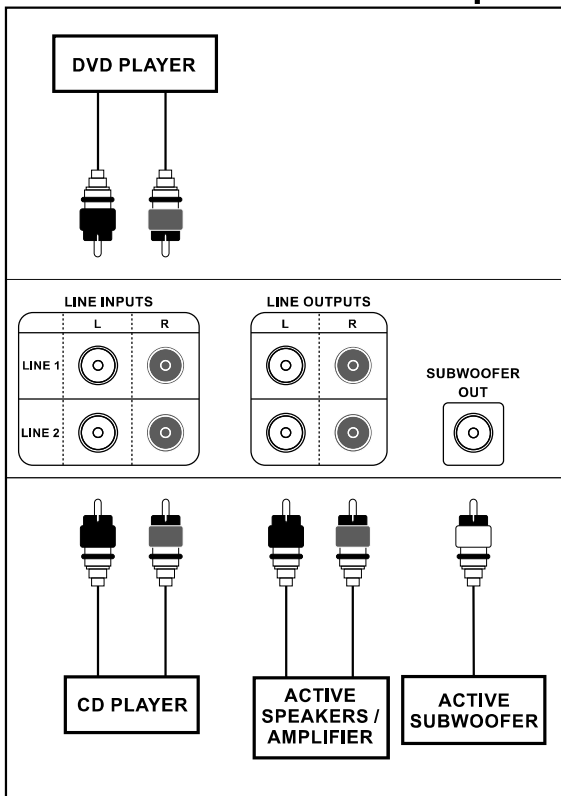
Before making any connections, make sure that power is turned off from all devices.

The connection can be made according to Basic Connection Example using RCA cable*. RCA cables are color-coded (white, red) to make the installation easier.

The microphones can be connected to the front panel using balanced or unbalanced 1/4" microphone plug cable (Fig. 1) or to the back panel using balanced XLR cable (Fig. 2).

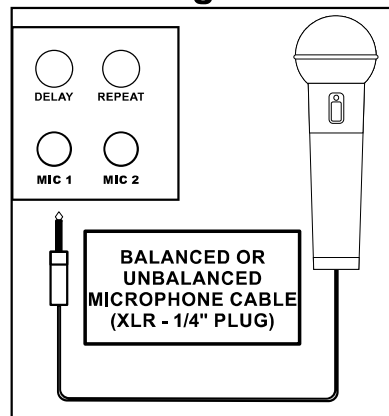
See for a detailed connection examples on the page 7-11.

Basic Connection Example



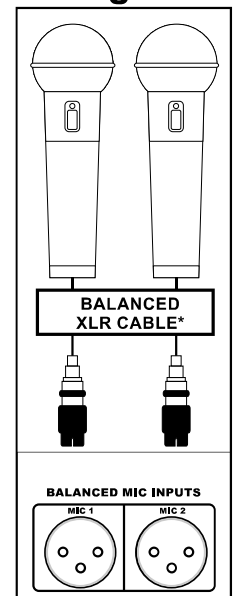
*CABLES SOLD SEPARATELY

Fig. 1



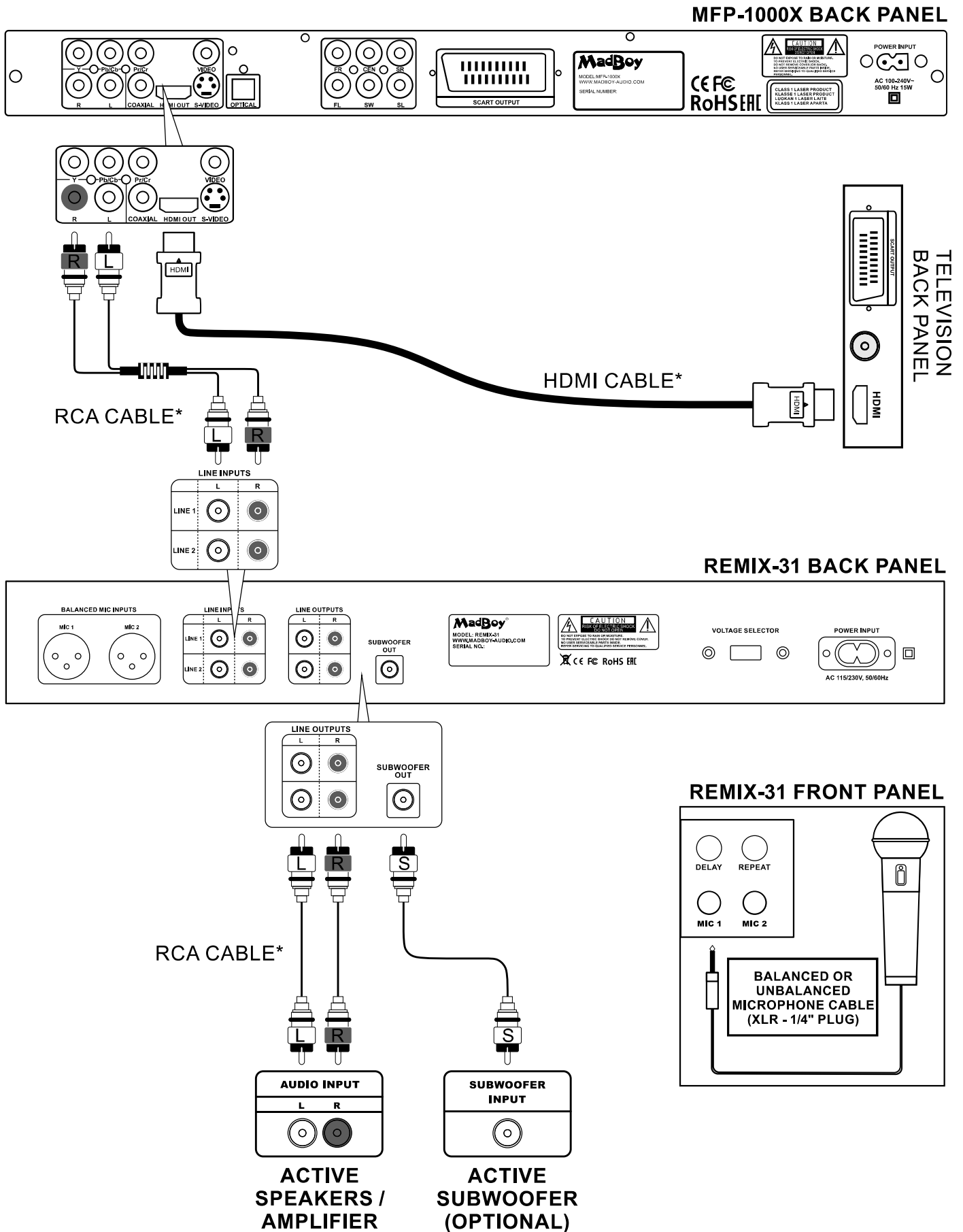
NOTE! Only two microphones can be connected simultaneously!

Fig. 2



Getting Connected: Connection Examples

1. MFP-1000X karaoke player as an audio source

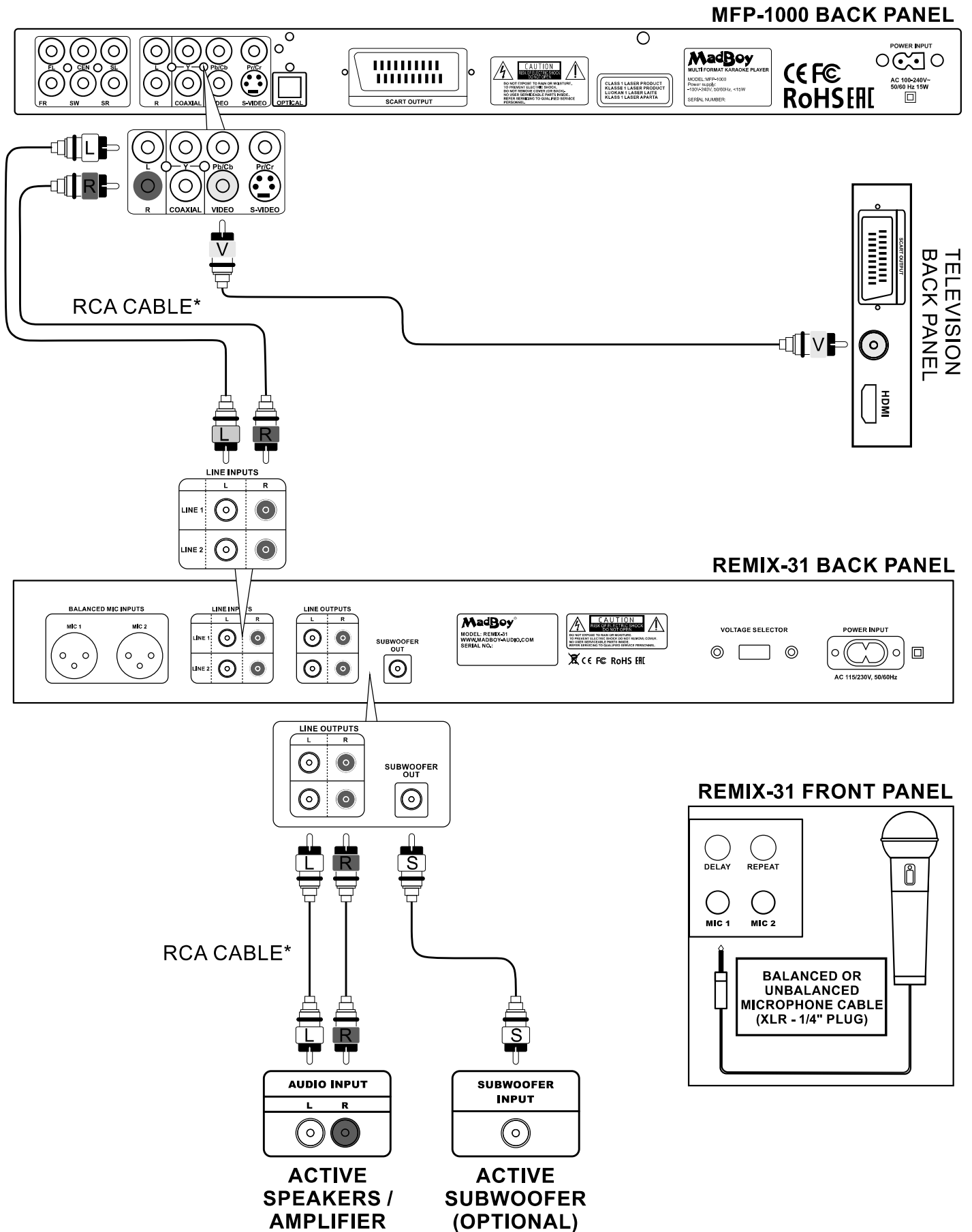


*CABLES SOLD SEPARATELY

WWW.MADBOY-AUDIO.COM

Getting Connected: Connection Examples

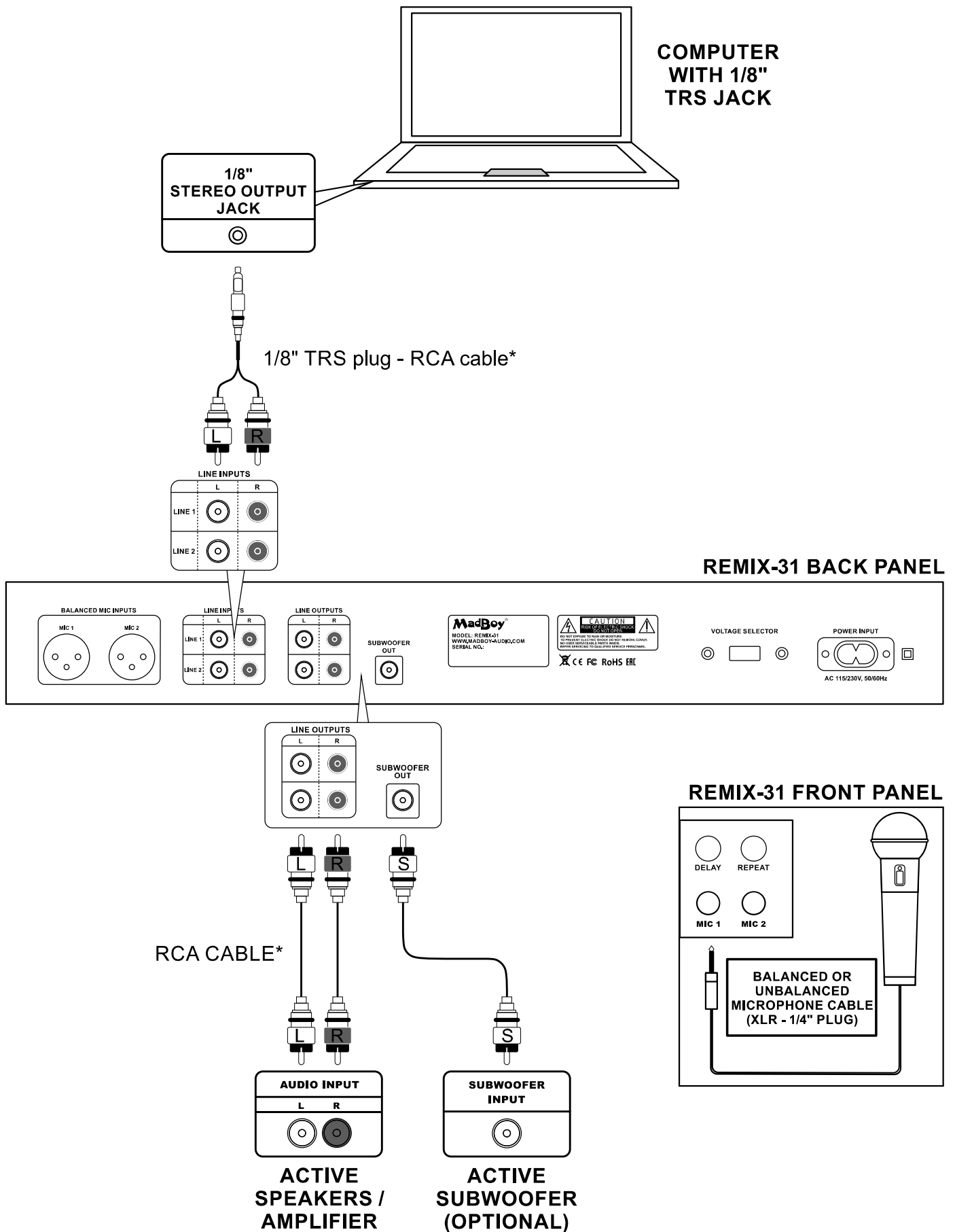
2. MFP-1000 karaoke player as an audio source



*CABLES SOLD SEPARATELY

Getting Connected: Connection Examples

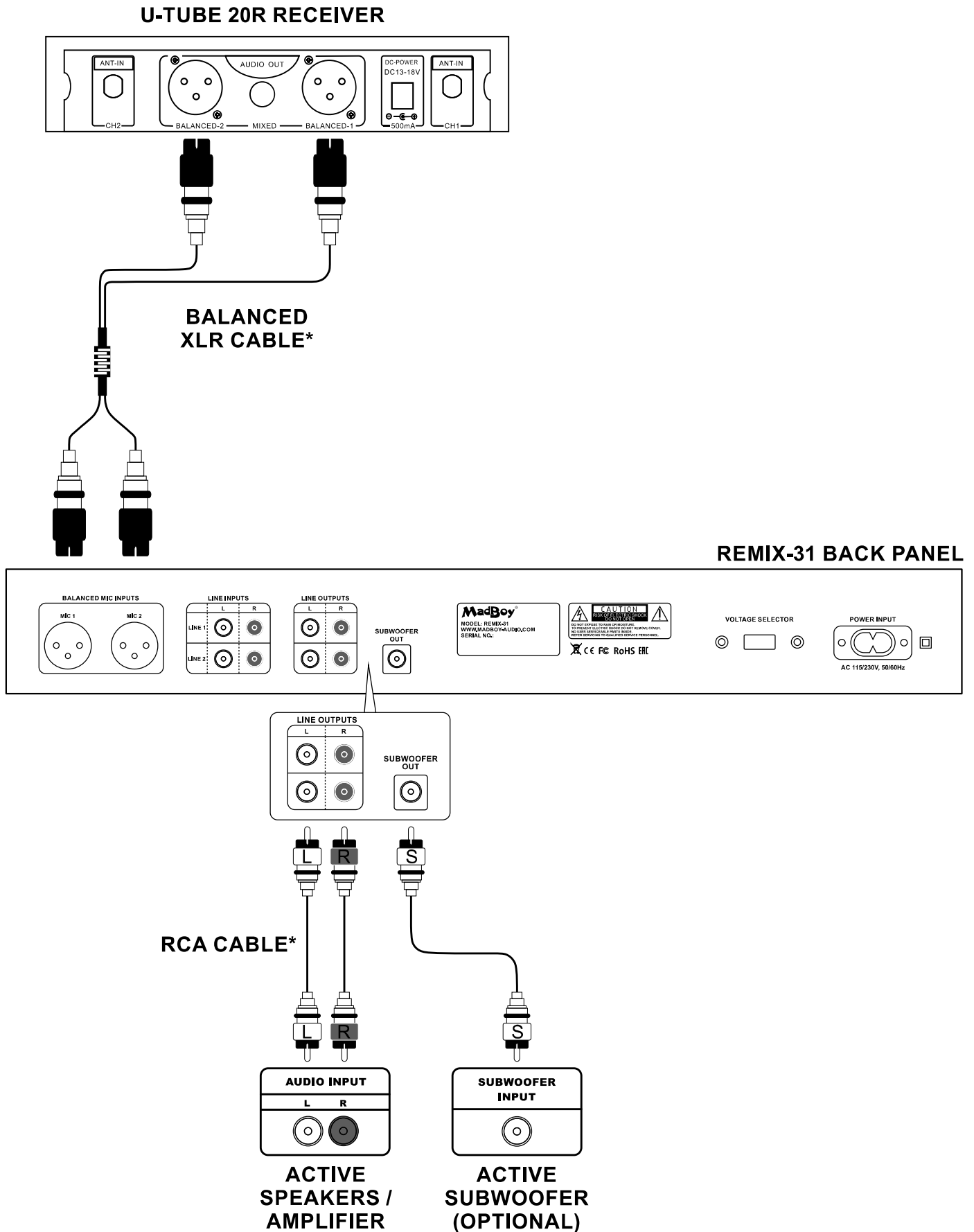
3. Computer as an audio source using 1/8" headphone output



*CABLES SOLD SEPARATELY

Getting Connected: Connection Examples

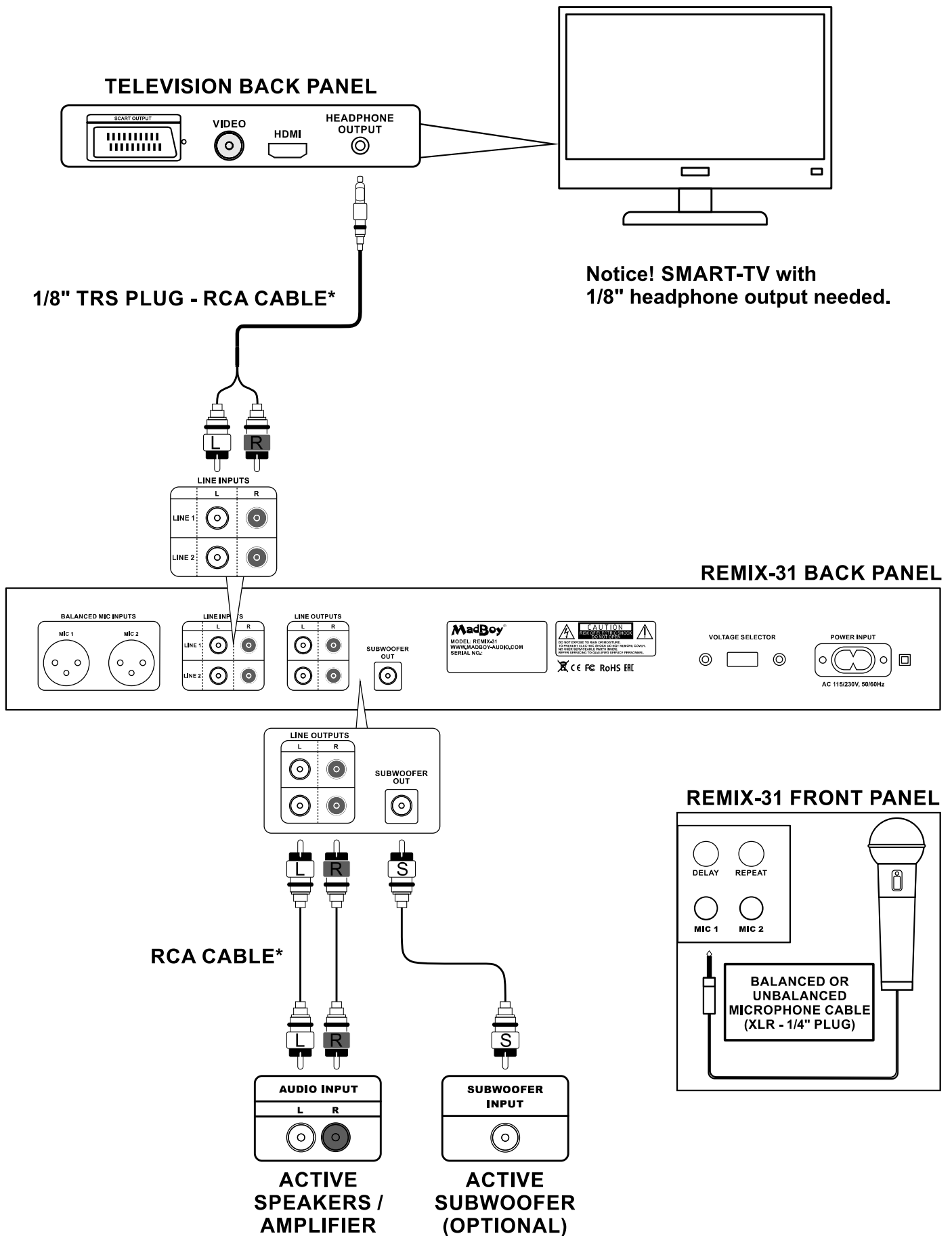
4. Connecting U-TUBE 20R wireless microphone set using balanced outputs



*CABLES SOLD SEPARATELY

Getting Connected: Connection Examples

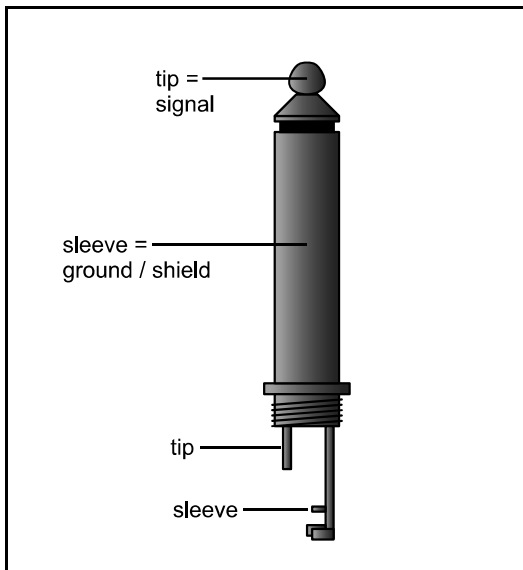
5. Connecting SMART-TV as an audio source using 1/8" headphone output



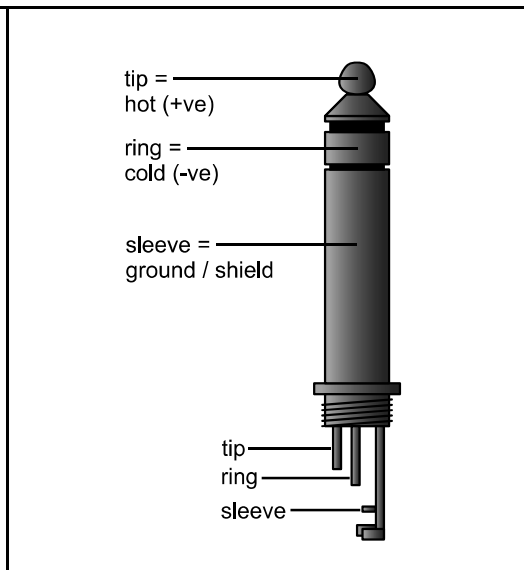
*CABLES SOLD SEPARATELY

Microphone connectors

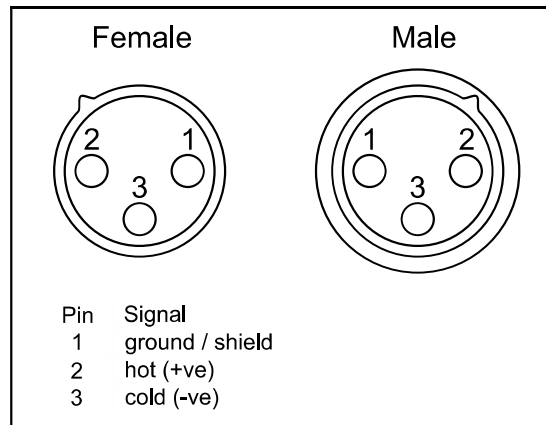
Unbalanced 1/4" TS connector



Balanced 1/4" TRS connector



Balanced XLR connector



Technical Specifications

Line inputs:

Maximum input level: 14 dBV

Music controls:

Volume: $-\infty - +12$ dB

Bass: ± 12 dB / 80 Hz

Mid: ± 12 dB / 2.5 kHz

Treble: ± 12 dB / 12 kHz

Microphone controls:

Volume: $-\infty - +6$ dB

Bass: ± 12 dB / 80 Hz

Mid: ± 12 dB / 2.5 kHz

Treble: ± 12 dB / 12 kHz

Power:

Power input: ~ 230 V / 50 Hz or ~ 115 V / 60 Hz

Power consumption: 7 W

Dimensions: (W) 430 mm x (D) 238 mm x (H) 65 mm

